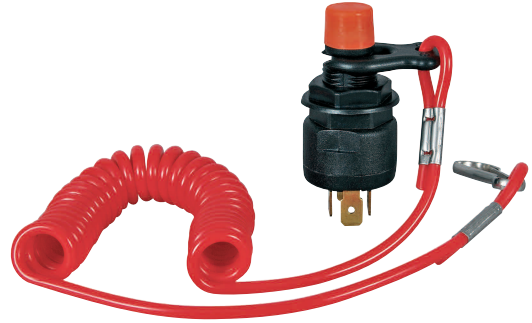


auto electrical parts

Technical Information Sheet

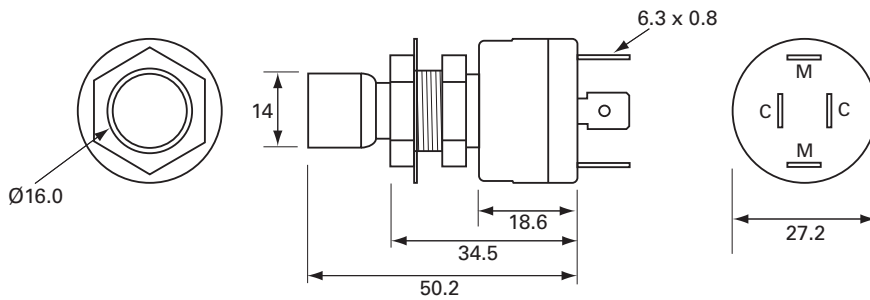
Part No. 0-605-41

Marine emergency cut-off switch with lanyard, cut-out can also be operated with lanyard clip in place by pressing knob, suitable for engine kill. 6.3mm blade terminals, 16mm panel hole. 15 amps at 12 volts dc rating.



TERMS	Clip on	Knob press (Clip on)	Clip off
C-C		■	
M-M	■		

Technical Drawing (not to scale)



Specification

Type	Marine emergency cut-off switch
Current rating @ 12vdc	15 amp continuous
Terminals	6.3mm blade
Panel hole	16mm dia
Panel thickness	2.5mm maximum
Lanyard	45cm unstretched
Weight	65g
Dimensions	See diagram

The information contained in this document is correct to the best of our knowledge at the time of printing. However, specifications may change at any time without notice.